

# BRETFORD BASICS™

## BPDUO PLASTIC CART

Bretford's plastic utility cart is strong, yet light-weight so it is easy to move from room to room. Cart features shelves molded from tough, high-density polyethylene plastic with a black finish. The legs are designed from black PVC pipe and each cart is complete with casters. The top shelf and handle are formed from a single mold for strength.



### FEATURES

- Durable, versatile plastic utility cart comes with legs for three height options and is ideal for the transportation of AV equipment, lab materials, and more.
- Combine the legs at the time of assembly to create three different sizes (26", 34" and 42"h) to suit your particular application.
- Tough high-density plastic is resistant to scratches and stains and is lightweight for easy portability.
- Black PVC pipe legs with 4" casters, and textured Black finish on shelves. Top shelf includes grommet hole.
- Recommended for use with up to a 20" diagonal monitors.
- Optional 3-outlet electric assembly with 20 foot extension cord mounts under the top shelf.
- Optional Big Wheel Kit includes two 5" casters and two 8" rigid big wheels.

## DIMENSIONS

BPDUO: 24"w x 18"d x 26", 34" or 42"h

## COLOR & FINISH

Black

## STANDARD EQUIPMENT

Bottom legs (4)

Top leg (4)

4" swivel casters (2)

4" swivel casters with brakes (2)

Shelves (3)

## WEIGHT AND FREIGHT CLASS

BPDUO-P4: 29.5 lbs., Freight class 70 UPS

BPDUO-E4: 32.5 lbs., Freight class 70 UPS

Ships ready to assemble in one (1) carton pack

## ACCESSORIES

BPE Electrical assembly with 3-grounded outlets, 20-ft. cord.

044-0026 Big Wheel Accessory with two 8" wheels and adjustable axle, with two 5" locking casters

044-0025 5" caster pak with 2 locking brakes (can substitute for 4")

SBRT Safety Belt for securing equipment to the top shelf

## CARTON DIMENSIONS & UPC CODE

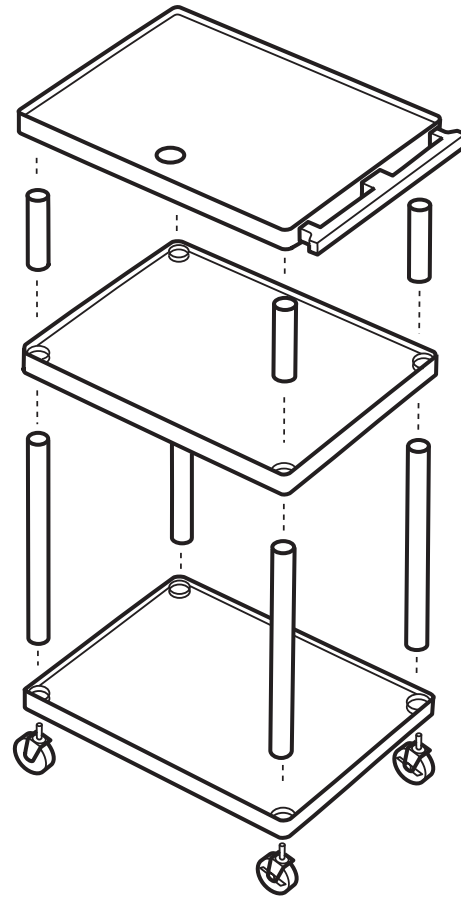
9"w x 28"d x 18-1/2"h

BPDUO-P4: 0 96633 10043 9

BPDUO-E4: 0 96633 10130 6

## SUGGESTED SPECIFICATIONS

Model BPDUO Plastic Mobile Equipment Tables have three (3) high-density Polyethylene plastic shelves measuring 24"w x 18"d. Each is formed with a 1/4" lip bordering the top surface on all 4 sides. The top shelf and handle are formed as a single piece in one mold. The handle also acts as a cord winder for the electrical assembly. Includes 1 1/2" diameter poly vinyl chloride pipe (PVC) legs, one set of legs 18-1/2"l, one set 14-1/2"l, one set 6-1/2"l. The BPDUO cart may be set at 42"h, 34"h or 26"h from the floor at the time of assembly, including the 4" casters. Models have a textured surface. Casters are mar resistant hard black rubber, 4" in diameter. Each caster has ball bearing swivel capabilities, two with locking brakes. Optional electrical assembly completely encased with three (3) grounded outlets, 20 ft. 3-wire cord and four (4) 3/16" diameter screws for attaching unit to underside of top shelf. Table ships in one (1) carton pack via United Parcel Service (UPS).



**BRETFORD**

11000 SEYMOUR AVENUE  
FRANKLIN PARK, ILLINOIS 60131 USA  
TOLL FREE PHONE 800-521-9614  
PHONE 847-678-2545  
TOLL FREE FAX 800-343-1779  
FAX 847-678-0852  
WWW.BRETFORD.COM